

# Converting CCGs into typed feature structure grammars

Hans-Ulrich Krieger

DFKI, Saarbrücken

Bernd Kiefer 

DFKI, Saarbrücken

Proceedings of the 18th International Conference on  
Head-Driven Phrase Structure Grammar


University of Washington

Stefan Müller (Editor)

2011

Stanford, CA: CSLI Publications

pages 109–125

Krieger, Hans-Ulrich & Bernd Kiefer. 2011. Converting CCGs into typed feature structure grammars. In Stefan Müller (ed.), *Proceedings of the 18th International Conference on Head-Driven Phrase Structure Grammar, University of Washington*, 109–125. Stanford, CA: CSLI Publications. DOI: 10.21248/hpsg.2011.7. 

## 1 Introduction

In this paper, we report on a transformation scheme that turns a Categorical Grammar (CG), more specifically, a Combinatory Categorical Grammar (CCG; Baldridge (2002)) into a derivation- and meaning-preserving typed feature structure (TFS) grammar. We describe the main idea which can be traced back at least to work by Karttunen (1986), Uszkoreit (1986), Bouma (1988), and Calder et al. (1988). We then show how a typed representation of complex categories can be extended by other constraints, such as modes, and indicate how the Lambda semantics of combinators is mapped into a TFS representation, using unification to perform  $\alpha$ -conversion and  $\beta$ -reduction (Barendregt, 1984). We also present first findings concerning runtime measurements, showing that the PET system, originally developed for the HPSG grammar framework, outperforms the OpenCCG parser by a factor of 8–10 in the time domain and a factor of 4–5 in the space domain.

## 2 Motivation

The Talking Robots ([talkingrobots.dfki.de](http://talkingrobots.dfki.de)) group here at the LT Lab of DFKI uses categorial grammars in several large EU projects in order to communicate with robots in spoken language. The grammars for English and Italian are written in the OpenCCG dialect of CCG. The overall goal of our enterprise amounts to an implementation of a (semi-)automatic method which, given a hand-written CCG, generates a derivation- and meaning-preserving TFS grammar. The motivation for doing this is at least threefold:

### 1. Faster Parser

The main rationale for our transformation method is driven by the need that we are looking for a reliable and trainable (C)CG parser that is faster than the one which comes with the OpenCCG system. People from the DFKI LT group have co-developed the PET system (Callmeier, 2000), a highly-tuned TFS parser written in C++, which originally grew out of the HPSG community. In order to use such a TFS parser in a CG setting, the (combinatory) rules and lexicon entries need to be transformed into a TFS representation.

### 2. Structured Language Model

Another major rationale for the transformation comes from the fact that the CCG grammars are used for spoken language, operating on the output of a speech recognizer. Although speech recognizers are based on trained statistical models, modern recognizers can be further tuned by supplying an

---

<sup>†</sup>The research described here has been partly financed by the **TAKE** project ([take.dfki.de](http://take.dfki.de)), funded by the German Federal Ministry of Education and Research, and the European Integrated projects **CogX** ([cogx.eu](http://cogx.eu)), **NIFTi** ([nifti.eu](http://nifti.eu)), and **Aliz-e** ([aliz-e.org](http://aliz-e.org)) under contract numbers 01IW08003, FP7 ICT 215181, 247870, and 248116. We would like to thank our reviewers for their useful comments.

additional structured language model. Given a TFS grammar for the transformed CCG grammar, we would like to use the corpus-driven approximation method described in Krieger (2007) to generate a context-free approximation of the deep grammar. This approximation then serves as our language model for the recognizer. Again, as is the case for PET, software can be reused here, since the method described in Krieger (2007) is implemented for the external chart representation of the PET system.

### 3. Cross-Fertilization

We finally hope that our experiment provides insights on how to incorporate descriptive means from CG (e.g., direct slash notation for categories) into the HPSG framework, even though they are compiled out in the end. Thus, specification languages for HPSG, such as *TDL* (Krieger, 1995), might be extended by some kind of macro formalism, allowing a grammar writer to state such extended rules. However, we will not speculate on this in the paper.

In the midst of our implementation effort, a fourth reason became equally important:

### 4. Uncover Implicit Constraints

Derivations in the OpenCCG system are guided not only by the explicit constraints of the linguist (CCG grammar and lexicon), but also by hidden, non-documented settings, hard-wired in the program code. Our implementation makes them explicit in that they became declaratively represented in the TFS grammar.

## 3 Categorical Grammar

Categorical grammar started with Bar-Hillel’s work in 1953 who adapted and extended Ajdukiewicz’s work by adding directionality to what Ajdukiewicz (by referring to Husserl) called “Bedeutungskategorie”. The grammatical objects in Bar-Hillel’s system are called *categories*. The set of *complex* categories  $C$  can be defined inductively by assuming a set of *atomic* categories  $A$  (e.g.,  $s$  or  $\eta p$ ) and a set of binary functor symbols  $F_2$  (usually  $/$  and  $\backslash$  for one-dimensional binary grammar rules):

1. if  $a \in A$  then  $a \in C$
2. if  $c, c' \in C$  and  $f \in F_2$  then  $cfc' \in C$

The system of categories in its simplest form is usually equipped with two very fundamental binary rules (or better, rule schemes), viz., forward ( $>$ ) and backward ( $<$ ) *functional application*—this is called the AB calculus (for Ajdukiewicz & Bar-Hillel). Here and in the following, we use the notation from Baldridge (2002), originating from the work of Mark Steedman:

$$\begin{aligned} (>\mathbf{A}) \quad X/Y \ Y \Rightarrow X \\ (<\mathbf{A}) \quad Y \ X \backslash Y \Rightarrow X \end{aligned}$$

Depending on the kind of slash, complex category symbols in these rules look to the right (forward) or to the left (backward) in order to derive a simpler category. Such a framework is in the truest sense *lexicalized*, since the categories in these rules are actually category schemes: there is no category  $X/Y$ , only instantiations, such as, for instance,  $(s \backslash np) / (s \backslash np)$  for modal verbs.

Furthermore, and very importantly, concrete categories are only specified for lexicon entries (the operator  $\vdash$  maps the word to its category):

$$defeat \vdash (s \backslash np) / np$$

Not only are lexical entries equipped with a category, but also with a semantics. Since Montague, categorial grammarians have often used the Lambda calculus to make this explicit. Abstracting away from several important things such as tense, we can define what is meant by the transitive verb *defeat* (: is used to separate the syntactic category from the semantic of a lexicon entry):

$$defeat \vdash (s \backslash np) / np : \lambda x. \lambda y. \mathbf{defeat}(y, x)$$

The above two rules for functional application in fact indicate how the semantics is supposed to be assembled, viz., by *functional application*:

$$\begin{aligned} (>\mathbf{A}) \quad X/Y : f \ Y : a \Rightarrow X : fa \\ (<\mathbf{A}) \quad Y : a \ X \backslash Y : f \Rightarrow X : fa \end{aligned}$$

$f$  in the above two rules actually abbreviates  $\lambda x. fx$ , so that the resulting phrase on the right-hand side is in fact  $fa$  as a result of applying  $\beta$ -reduction to  $(\lambda x. fx)(a)$ .

Given these two rule schemes, we can easily find a derivation for sentences, such as *Brazil defeats Germany*:

$$\frac{\text{np:Brazil } (s \backslash np) / np : \lambda x. \lambda y. \mathbf{defeat}(y, x) \quad \text{np:Germany}}{\text{np:Brazil } \frac{\quad \quad \quad s \backslash np : \lambda y. \mathbf{defeat}(y, \mathbf{Germany})}{\quad \quad \quad}}{\mathbf{s:defeat}(\mathbf{Brazil}, \mathbf{Germany})}$$

A lot of linguistic phenomena can be perfectly handled by the two application rules. However, many researchers have argued that the AB calculus should be extended by rules that have a greater combinatory potential. CCG, for instance, employs rules for forward/backward (harmonic & crossed) composition, substitution, and type raising (we only list the forward versions):

### 3.0.1 Forward Harmonic Composition

$$(>\mathbf{B}) \quad X/Y \ Y/Z \Rightarrow X/Z$$

### 3.0.2 Forward Crossed Composition

$$(>\mathbf{B}_\times) \quad X/Y \ Y \backslash Z \Rightarrow X \backslash Z$$

### 3.0.3 Forward Substitution

(>**S**)  $(X/Y)/Z \ Y/Z \Rightarrow X/Z$

### 3.0.4 Forward Type Raising

(>**T**)  $X \Rightarrow Y/(Y \setminus X)$

Related to these rules are the three combinators (e.g., higher-order functions) for *composition* **B**, *substitution* **S**, and *type raising* **T** (see Steedman (2000)):

- $\mathbf{B}fg \equiv \lambda x.f(gx)$
- $\mathbf{S}fg \equiv \lambda x.fx(gx)$
- $\mathbf{T}x \equiv \lambda f.fx$

In a certain sense, even functional application can be seen as a combinator, since argument  $a$  can be regarded as a nullary function:

- $\mathbf{A}fa \equiv \lambda x.fx(a)$

The three combinators above indicate how semantics should be assembled within the categorial rules. Semantics construction is addressed later when we move to the TFS representation of the CCG rules.

## 4 Idea

The TFS encoding below distinguishes between atomic and complex categories. Atomic categories such as **S** do not have an internal structure. However, atomic categories in CCG are usually part of a structured inheritance lexicon, quite similar to HPSG. Atomic categories here do have a flat internal structure, encoding morpho-syntactical feature-value combinations. Thus, atomic categories in our transformation will be realized as typed feature structures to fully exploit the potential of typed unification.

Contrary to this, the most general functor category type has two subtypes / (*slash*) and \ (*backslash*) and defines three appropriate features: 1ST (FIRST), 2ND (SECOND), and MODE (for modalities, explained later). This encoding is similar to the CUG encoding in Karttunen (1986) and Uszkoreit (1986). However, the DIR (direction) feature is realized as a type, and the ARG (argument) and VAL (value) features through features 1ST and 2ND. Our encoding is advantageous in that it

1. makes a complex functor hierarchy possible, even multi-dimensional functors;

2. allows for functors of more than two arguments, thus going beyond the potential of binary rules; and
3. need not look at the directionality of the functor in order to specify the proper values for ARG and VAL (as is the case in Lambek's notation).

Underspecified atomic categories in the CCG rules above are realized through logic variables (coreferences) in the TFS rules below. Moreover, a distinguished list-valued feature DTRS (daughters) is employed in the TFS representation to model the LHS arguments of CCG rules.

## 5 Examples

We start with the TFS encoding of a proper noun, a transitive verb, and a modal verb, followed by the basic representation of the forward versions of the CCG rules, including a form of Lambda semantics in order to show how the compositional semantic approach of categorial grammars translates into a TFS grammar.

### 5.1 Lexicon Entries

A proper noun entry, such as

*Germany* ⊢ np : **Germany**

is mapped to a flat feature structure with distinguished attributes CAT and SEM:

$$\left[ \begin{array}{l} \textit{germany} \\ \text{CAT } \textit{np} \\ \text{SEM } \mathbf{Germany} \end{array} \right]$$

Actually, **Germany** is represented as a nullary function (i.e., a function with zero arguments)

$$\left[ \begin{array}{l} \textit{germany} \\ \text{CAT } \textit{np} \\ \text{SEM } \left[ \begin{array}{l} \textit{f} \\ \text{NAME } \mathbf{Germany} \\ \text{ARGS } \langle \rangle \end{array} \right] \end{array} \right]$$

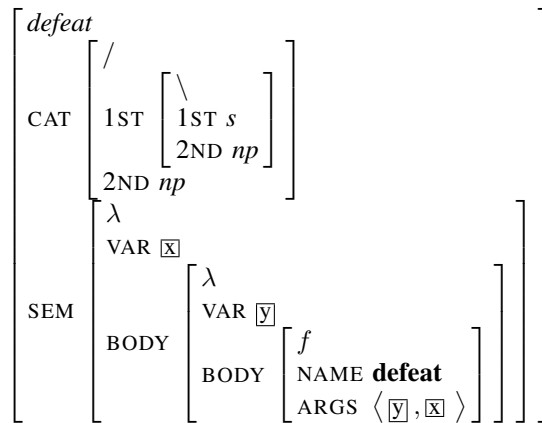
but this does not matter here, and we usually use the abbreviation further above.

The value of SEM is either a function specification (type *f*) with NAME and ARGS features, or the representation of a Lambda term (type *λ*), encoded through VAR and BODY. The body of a Lambda term might again be a Lambda term or a function specification. Functional composition is encoded through an embedding of function specifications.

The representation of transitive verbs is a straightforward translation of the one-dimensional CCG specification, e.g.,

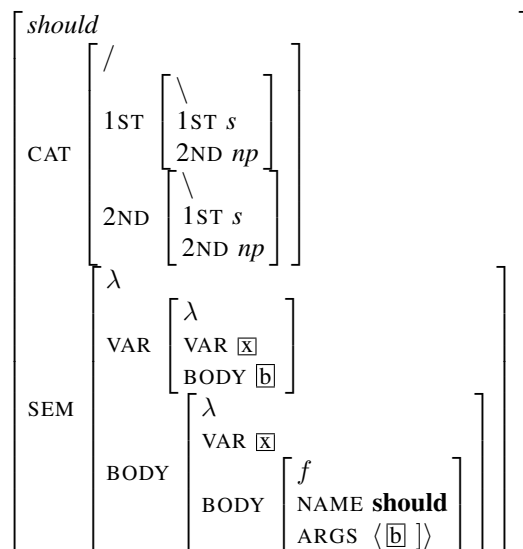
$$\textit{defeat} \vdash (\textit{s} \setminus \textit{np}) / \textit{np} : \lambda x. \lambda y. \mathbf{defeat}(y, x)$$

Note that the de-curried representation suggests that  $\beta$ -reduction for  $x$  happens *before*  $y$ . Note further that even though  $x$  is bound first, it is the second argument of **defeat** (see SEM|BODY|BODY|ARGS):



The representation of modal verbs is more complicated because  $P$  in the complex Lambda term below is not an argument like  $x$  (or  $x$  and  $y$  above), but instead a function that is *applied* to  $x$ —it might even be a Lambda term as the example *Brazil should defeat Germany* shows. Here is the categorial representation, followed by the TFS encoding:

$$\textit{should} \vdash (\textit{s} \setminus \textit{np}) / (\textit{s} \setminus \textit{np}) : \lambda P. \lambda x. \mathbf{should}(Px)$$



## 5.2 Rules

Next comes the rule for **Forward Functional Application**:

$$(>\mathbf{A}) \quad X/Y : f \quad Y : a \Rightarrow X : fa$$

$$\left[ \begin{array}{l} >\mathbf{A} \\ \text{CAT } \boxed{X} \\ \text{SEM } \boxed{f} \\ \\ \text{DTRS } \left\langle \begin{array}{l} \text{CAT } \left[ \begin{array}{l} / \\ \text{1ST } \boxed{X} \\ \text{2ND } \boxed{Y} \end{array} \right] \\ \text{SEM } \left[ \begin{array}{l} \lambda \\ \text{VAR } \boxed{a} \\ \text{BODY } \boxed{f} \end{array} \right] \end{array} \right\rangle, \left[ \begin{array}{l} \text{CAT } \boxed{Y} \\ \text{SEM } \boxed{a} \end{array} \right] \right\rangle \end{array} \right]$$

Given this rule and the entries for *should*, *defeat*, and *Germany*, the twofold application of ( $>\mathbf{A}$ ) yields the correct semantics for the VP *should defeat Germany*, viz.,  $\lambda x.\mathbf{should}(\mathbf{defeat}(x, \mathbf{Germany}))$ , or as a TFS, constructed via unification:

$$\left[ \begin{array}{l} \lambda \\ \text{VAR } \boxed{x} \\ \\ \text{BODY } \left[ \begin{array}{l} f \\ \text{NAME } \mathbf{should} \\ \text{ARGS } \left\langle \begin{array}{l} f \\ \text{NAME } \mathbf{defeat} \\ \text{ARGS } \langle \boxed{x}, \mathbf{Germany} \rangle \end{array} \right\rangle \end{array} \right] \end{array} \right]$$

The TFS representation of the four rules to follow are **Forward Harmonic Composition**, **Forward Crossed Composition**, **Forward Substitution**, and **Forward Type Raising**. The motivation for such kind of rules, can, e.g., be found in Baldridge (2002).

$$(>\mathbf{B}) \quad X/Y : f \quad Y/Z : g \Rightarrow X/Z : \lambda x.f(gx)$$

$$\left[ \begin{array}{l} >\mathbf{B} \\ \text{CAT } \left[ \begin{array}{l} / \\ \text{1ST } \boxed{X} \\ \text{2ND } \boxed{Z} \end{array} \right] \\ \text{SEM } \left[ \begin{array}{l} \lambda \\ \text{VAR } \boxed{x} \\ \text{BODY } \boxed{f} \left[ \text{ARGS} \mid \text{FIRST } \boxed{g} \right] \end{array} \right] \\ \\ \text{DTRS } \left\langle \begin{array}{l} \text{CAT } \left[ \begin{array}{l} / \\ \text{1ST } \boxed{X} \\ \text{2ND } \boxed{Y} \end{array} \right] \\ \text{SEM } \left[ \begin{array}{l} \text{BODY } \boxed{f} \end{array} \right] \end{array} \right\rangle, \left[ \begin{array}{l} \text{CAT } \left[ \begin{array}{l} / \\ \text{1ST } \boxed{Y} \\ \text{2ND } \boxed{Z} \end{array} \right] \\ \text{SEM } \left[ \begin{array}{l} \text{VAR } \boxed{x} \\ \text{BODY } \boxed{g} \end{array} \right] \end{array} \right] \right\rangle \end{array} \right]$$



(>**B<sub>x</sub>**)  $X/Y : f \quad Y \setminus Z : g \Rightarrow X \setminus Z : \lambda x.f(gx)$

$$\left[ \begin{array}{l} >\mathbf{B}_x \\ \text{CAT} \left[ \begin{array}{l} \backslash \\ 1\text{ST } \boxed{X} \\ 2\text{ND } \boxed{Z} \end{array} \right] \\ \text{SEM} \left[ \begin{array}{l} \lambda \\ \text{VAR } \boxed{x} \\ \text{BODY } \boxed{f} \left[ \text{ARGS} \mid \text{FIRST } \boxed{g} \right] \end{array} \right] \\ \text{DTRS} \left\langle \left[ \begin{array}{l} \text{CAT} \left[ \begin{array}{l} / \\ 1\text{ST } \boxed{X} \\ 2\text{ND } \boxed{Y} \end{array} \right] \\ \text{SEM} \mid \text{BODY } \boxed{f} \end{array} \right], \left[ \begin{array}{l} \text{CAT} \left[ \begin{array}{l} \backslash \\ 1\text{ST } \boxed{Y} \\ 2\text{ND } \boxed{Z} \end{array} \right] \\ \text{SEM} \left[ \begin{array}{l} \text{VAR } \boxed{x} \\ \text{BODY } \boxed{g} \end{array} \right] \end{array} \right] \right\rangle \end{array} \right]$$

(>**S**)  $(X/Y) \setminus Z : f \quad Y \setminus Z : g \Rightarrow X \setminus Z : \lambda x.fx(gx)$

$$\left[ \begin{array}{l} >\mathbf{S} \\ \text{CAT} \left[ \begin{array}{l} / \\ 1\text{ST } \boxed{X} \\ 2\text{ND } \boxed{Z} \end{array} \right] \\ \text{SEM} \left[ \begin{array}{l} \lambda \\ \text{VAR } \boxed{x} \\ \text{BODY } \boxed{f} \left[ \text{ARGS} \mid \text{REST} \mid \text{FIRST } \boxed{g} \right] \end{array} \right] \\ \text{DTRS} \left\langle \left[ \begin{array}{l} \text{CAT} \left[ \begin{array}{l} / \\ 1\text{ST } \left[ \begin{array}{l} / \\ 1\text{ST } \boxed{X} \\ 2\text{ND } \boxed{Y} \end{array} \right] \\ 2\text{ND } \boxed{Z} \end{array} \right] \\ \text{SEM} \left[ \begin{array}{l} \lambda \\ \text{VAR } \boxed{x} \\ \text{BODY } \boxed{f} \end{array} \right] \end{array} \right], \left[ \begin{array}{l} \text{CAT} \left[ \begin{array}{l} / \\ 1\text{ST } \boxed{Y} \\ 2\text{ND } \boxed{Z} \end{array} \right] \\ \text{SEM} \left[ \begin{array}{l} \lambda \\ \text{VAR } \boxed{x} \\ \text{BODY } \boxed{g} \end{array} \right] \end{array} \right] \right\rangle \end{array} \right]$$

(>**T**)  $X : x \Rightarrow Y / (Y \setminus X) : \lambda f.fx$

$$\left[ \begin{array}{l} >\mathbf{T} \\ \text{CAT} \left[ \begin{array}{l} / \\ 1\text{ST } \boxed{Y} \\ 2\text{ND } \left[ \begin{array}{l} \backslash \\ 1\text{ST } \boxed{Y} \\ 2\text{ND } \boxed{X} \end{array} \right] \end{array} \right] \\ \text{SEM} \left[ \begin{array}{l} \lambda \\ \text{VAR } \boxed{f} \\ \text{BODY} \left[ \begin{array}{l} f \\ \text{NAME } \boxed{f} \\ \text{ARGS } \langle \boxed{x} \rangle \end{array} \right] \end{array} \right] \\ \text{DTRS} \left\langle \left[ \begin{array}{l} \text{CAT } \boxed{X} \\ \text{SEM } \boxed{x} \end{array} \right] \right\rangle \end{array} \right]$$

## 6 Extensions

In this section, we outline several extensions of the basic CG system and show how their TFSs representation look like.

### 6.1 \$-Convention and Generalized Forward Composition

The VP *should defeat Germany* from the rule section can not only be analyzed by a twofold application of ( $>\mathbf{A}$ ), but also by applying ( $>\mathbf{B}$ ) to *should* and *defeat*, followed by ( $>\mathbf{A}$ ). Now, ( $>\mathbf{B}$ ) must be generalized in case we are even interested in ditransitive verbs, or even VPs with further PP attachments. Instead of describing every possible alternative, Steedman (2000) devised a compact notation using  $\$$ -schemes to characterize functions of varying numbers of arguments, or as Baldridge (2002) puts it: *In essence, the  $\$$  acts as a stack of arguments that allows the rule to eat into a category*. For example, the schema  $\mathbf{s}/\mathbf{\$}$  is a representative for the infinite set  $\{\mathbf{s}, \mathbf{s}/\mathbf{np}, (\mathbf{s}/\mathbf{np})/\mathbf{np}, \dots\}$ .

Formally, the expansion of a  $\mathbf{\$}$ -category can be inductively defined as follows. Let  $\mathbf{C}$  be the set of complex categories, as defined earlier,  $\mathbf{F}_2$  the set of binary functor symbols, and let  $c \in \mathbf{C}$  and  $f \in \mathbf{F}_2$ . Define

$$\begin{aligned} \mathbf{C}_\epsilon &:= \mathbf{C} \cup \{\epsilon\} \\ \mathbf{c}f\epsilon &:= \mathbf{c} \\ \mathbf{c}f\mathbf{C}_\epsilon &:= \{\mathbf{c}fd \mid d \in \mathbf{C}_\epsilon\} \end{aligned}$$

Then

$$\mathbf{c}f\mathbf{\$} := (\mathbf{c}f\mathbf{C}_\epsilon)\mathbf{f}\mathbf{C}_\epsilon$$

Let us move on to the rule for generalized forward composition ( $>\mathbf{B}^n$ ) which employs  $\mathbf{\$}$  and its TFS counterpart:

$$(>\mathbf{B}^n) \quad \mathbf{X}/\mathbf{Y} \ (\mathbf{Y}/\mathbf{Z})/\mathbf{\$} \Rightarrow (\mathbf{X}/\mathbf{Z})/\mathbf{\$}$$

$$\left[ \begin{array}{l} >\mathbf{B}^{n>1} \\ \text{CAT} \left[ \begin{array}{l} / \\ 1\text{ST}^{n-1} \left[ \begin{array}{l} / \\ 1\text{ST} \ \mathbf{X} \\ 2\text{ND} \ \mathbf{Z} \end{array} \right] \\ 2\text{ND} \ \mathbf{\$} \end{array} \right] \\ \text{DTRS} \left\langle \left[ \text{CAT} \left[ \begin{array}{l} / \\ 1\text{ST} \ \mathbf{X} \\ 2\text{ND} \ \mathbf{Y} \end{array} \right] \right], \left[ \text{CAT} \left[ \begin{array}{l} / \\ 1\text{ST}^{n-1} \left[ \begin{array}{l} / \\ 1\text{ST} \ \mathbf{Y} \\ 2\text{ND} \ \mathbf{Z} \end{array} \right] \\ 2\text{ND} \ \mathbf{\$} \end{array} \right] \right] \right\rangle \end{array} \right]$$

The above TFS uses a “coordinated” path expression  $1\text{ST}^{n-1}$  at two places inside the rule structure and is, in a certain sense, even worse than *functional uncertainty* (Kaplan and Maxwell III, 1988), since it involves counting. To the best of our knowledge, we are not aware of TFS formalisms which offer such descriptive means. We thus understand the above structure as a schema that can be compiled into  $k - 1$  different concrete rules for  $1 < n \leq k$ .

Another way to carry over the meaning would be to add helper rules for each  $\$$ -rule which together simulate the expansion of a  $\$$ -category. The efficiency of the second solution, however, is questionable since it generates a lot of intermediate edges, bearing the potential to blow up the search space of the parser.

We have thus opted for the first solution. For the OpenCCG grammars that we are using,  $k$  is set to 4, especially, since  $\$$  is used only in lexical type-changing rules.

We finally note that  $>\mathbf{B}^1$  is equivalent to the original rule  $>\mathbf{B}$ . In case we define  $1\text{ST}^0 := \epsilon$  and assume that  $2\text{ND} \doteq \mathbb{Z} \wedge 2\text{ND} \doteq \mathbb{S}$  leads to  $\mathbb{Z} = \mathbb{S}$  (features are functional relations!), there is no need to specify  $>\mathbf{B}^1$  separately.

In principle, other rule schemata might be generalized in such a way, but at the expense of further uncertainty and overgeneration during parsing.

## 6.2 Atomic Categories & Morpho-Syntax

As indicated earlier, atomic categories in CCG usually do have a flat internal structure. For instance, the category  $s_i$  refers to an inflection phrase (Baldrige, 2002). The TFS representation then uses  $s_i$  as a type, having the following definition:

$$\text{IP} \equiv \left[ \begin{array}{ll} s_i & \\ \text{SPEC} & \textit{boolean} \\ \text{ANT} & \textit{boolean} \\ \text{CASE} & \textit{case} \\ \text{VFORM} & \textit{fin} \\ \text{MARKING} & \textit{unmarked} \end{array} \right]$$

Words in CCG usually refer to these more specialized categories; for instance, the ECM verb *believe*  $\vdash (s_i \backslash \text{np}) / s_{fin}$ . Given such specific category information, TFS unification takes care that the additional constraints are “transported” throughout the derivation tree.

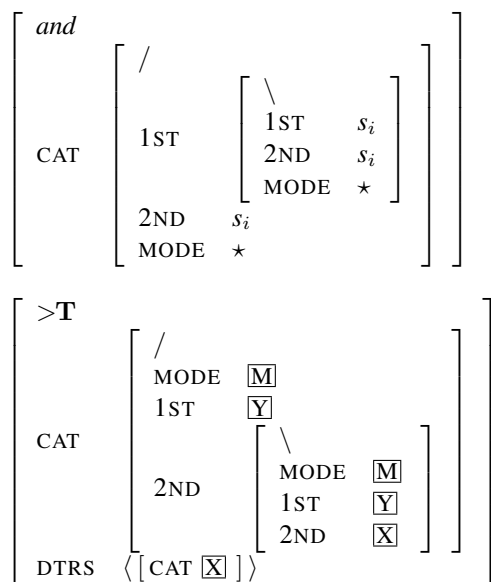
## 6.3 Modes & Modalized CCG

Besides having more control through specialized atomic categories as is shown above, *multi-modal CCG* incorporates means from *Categorial Type Logic* to provide further fine-grained lexical control through so-called *modalities*; see Baldrige and Kruijff (2003) for a detailed description. For example, the complex category of the coordination particle *and*  $\vdash (s_i \backslash s_i) / s_i$  which can lead to unwanted analyses is replaced by the modalized category  $(s_i \backslash_{\star} s_i) /_{\star} s_i$ .

In principle, modes can be “folded” into subtypes of the very general complex category types / and \. We have, however, opted for an additional feature MODE which takes values from the following atomic mode type hierarchy:



There are further modalities, represented as subtypes of  $\diamond$  and  $\times$ , which are not of interest to us here. Let us finally present the TFSs for *and* and the multimodal CCG forward type raising rule rule ( $>T$ ) which even enforces modes to be identical between the embedded and the outer slash.



## 7 First Measurements

We have compared the performance of the CCG parser and the PET system on a MacBook Pro (2GHz Core Duo, 32 bit architecture). The measurements were carried out against a hand-crafted artificial test corpus of 5,000 sentences with an average length of 7 and a maximal length of 12 words, including sentences with heavy use of different kinds of coordination, such as *Brazil will meet and defeat Germany* or *Brazil should defeat Germany and Italy and England*.

We have switched off the semantics and have only compared the syntactic coverage, using categorial information, including modes. We have also switched off the type raising rules in both parsers, since the OpenCCG parser seems to ignore them in analyses licensed by the grammar theory. Packing in both parsers has been switched on, supertagging switched off because PET does not provide a supertagging stage, but also no models were available for the grammar at hand of the OpenCCG parser.

We further note that we have obtained about twice as much analyses for PET (approximately 15,000 analyses) as the OpenCCG system, the reason for this currently unclear. For instance, the CCG parser produces only **one** analysis for the sentence *Brazil should defeat Germany*, even though a careful inspection of the rules shows that **two** analyses are possible (as is the case for PET), viz.,

$$\begin{aligned} & [(<\mathbf{A}) \textit{Brazil} [(>\mathbf{A}) \textit{should} [(>\mathbf{A}) \textit{defeat Germany} ]]] \\ & [(<\mathbf{A}) \textit{Brazil} [(>\mathbf{A}) [(>\mathbf{B}) \textit{should defeat} ] \textit{Germany} ]]] \end{aligned}$$

Even though we have doubled the number of analyses, PET is about one magnitude faster (overall 2.67 vs. 28.9 seconds for the full set of 5,000 sentences).

Both PET and the OpenCCG system have implemented standard CYK parsers. We believe that the difference in the running time is related to the choice of the programming language (C++ vs. Java), but also to optimization techniques (Kiefer et al., 1999), maintenance effort, and the still ongoing development of the PET system by an active community, whereas the evolution of the core parsing engine in the OpenCCG library seems to have ended several years ago.

To some extent, the above mismatch is related to the fact that certain “settings” in the CCG are realized through *program code*, but **not declaratively** stated in the lingware. For instance, the type raising rules can in principle be applied to arbitrary categories, but, by default, the OpenCCG code limits them to NPs only. Given our treatment, such a restriction can be easily stated in the TFSs for the type raising rules, and we think that this is the right place to do so:

$$\left[ \begin{array}{l} >\mathbf{T} \\ \\ \text{CAT} \\ \\ \text{DTRS} \end{array} \left[ \begin{array}{l} / \\ 1\text{ST} \quad \boxed{\mathbf{Y}} \\ \\ 2\text{ND} \quad \left[ \begin{array}{l} 1\text{ST} \quad \boxed{\mathbf{Y}} \\ 2\text{ND} \quad \boxed{\mathbf{X}} \end{array} \right] \end{array} \right] \right]$$

Other “adjusting screws” in OpenCCG, e.g., the specification of the atomic mode hierarchy (see last subsection) are also “casted” in program code (deeply nested *if-then-else* statements that behave different from the mode hierarchy described in the CCG papers), whereas our treatment uses a type hierarchy, helping to better understand and manipulate the parser’s output. Given these remarks, explaining missing analyses in OpenCCG has required a deep inspection of the program code. Besides the MODE dimension, we found a further orthogonal binary ABILITY dimension with values *inert* and *active* that was hidden in the program code (Java classes) for each categorial rule. The PET version of CCG still over-generates (to a lesser extent), so it is very likely that we still overlooked some of the “traps”.

## 8 Moving Further

The transformation schema described in this paper has been manually constructed for the rules, the lexical types, and a small set of lexicon entries. In order to automatically transform the OpenCCG grammars from our Lab for English and Italian, we have implemented code that operates on the XML output of the `ccg2xml` converter for CCG's WebCCG input format. This includes files for rules, general types, and so-called families which are collections of lexical types and corresponding lexical entries.

Contrary to traditional CG and CCG, OpenCCG does not use Lambda semantics, but instead comes with a kind of Davidsonian event semantics, comparable to MRS, building on Blackburn's hybrid modal logic: Hybrid Logic Dependency Semantics or HLDS (Baldrige and Kruijff, 2002). Looking more closely on the seemingly different notation, it becomes quite clear that HLDS formulae can be straightforwardly translated into a TFS representation. We can only throw a glance on a small example at the end of this paper.

Originally, the HLDS representations were built up in tandem with the construction of the categorial backbone (Baldrige and Kruijff, 2002), comparable to the construction of Lambda semantics in our rules before. White and Baldrige (2003) has improved on this construction by attaching the semantics, i.e., the elementary predications (EPs), directly to the atomic categories from which a complex category is built up; see Zeevat (1988) for a similar treatment in UCG.

Consider the sentence *Marcel proved completeness* from Kruijff and Baldrige (2004). Subscripts attached to atomic categories (the nominals) can be used to access them. The satisfaction operator  $@$  that is equipped with a subscript  $e$  indicates that the formulae to follow hold at a state named  $e$ :

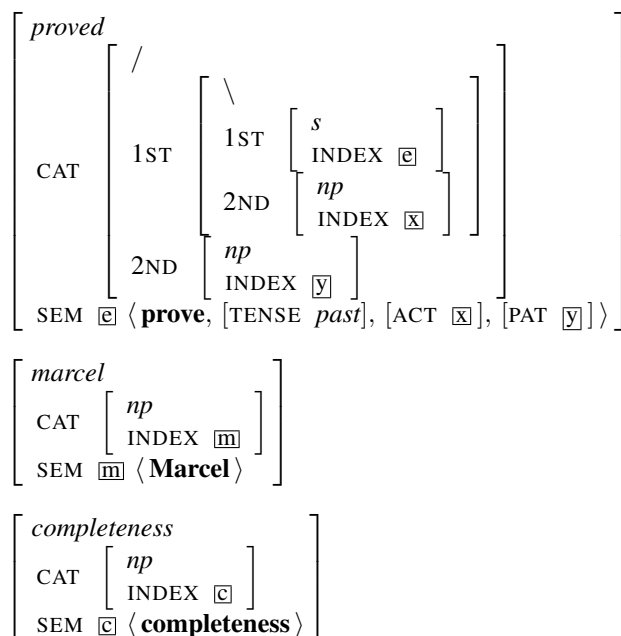
$$\begin{aligned} \textit{proved} \vdash (\mathbf{s}_e \setminus \mathbf{np}_x) / \mathbf{np}_y : \\ @_e \mathbf{prove} \wedge @_e \langle \text{TENSE} \rangle \mathbf{past} \wedge @_e \langle \text{ACT} \rangle x \wedge @_e \langle \text{PAT} \rangle y \\ \textit{Marcel} \vdash \mathbf{np}_m : @_m \mathbf{Marcel} \\ \textit{completeness} \vdash \mathbf{np}_c : @_c \mathbf{completeness} \end{aligned}$$

By *conjoining* the EPs during the application of  $(>\mathbf{A})$  and  $(<\mathbf{A})$ , we immediately obtain

$$\begin{aligned} \textit{Marcel proved completeness} \vdash \mathbf{s}_e : \\ @_e \mathbf{prove} \wedge @_e \langle \text{TENSE} \rangle \mathbf{past} \wedge @_e \langle \text{ACT} \rangle m \wedge \\ @_e \langle \text{PAT} \rangle c \wedge @_m \mathbf{Marcel} \wedge @_c \mathbf{completeness} \end{aligned}$$

Exactly these effects can be achieved through unification in our framework. The CCG nominals are realized through logic variables (coreference tags), atomic categories, such as  $\mathbf{s}$  or  $\mathbf{np}$  are assigned a further feature `INDEX`, cospecified with the semantics, and the nominals are realized through ordinary features. In theory, SEM is a set-valued feature whose elements are combined conjunctively (as in HLDS or MRS). Since *TDL* (and PET) does not provide sets, the usual list implementation is used. This gives us the following TFSs (we have omitted the explicit

representation of the name of the event variables  $e$ ,  $m$ , and  $c$  in the individual EPs below):



Alternatively, the list representation of EPs might be replaced by a single complex feature structure. However, the list implementation makes it easy to implement relational information, e.g., the representation of several modifiers. Given the above encoding, there is no longer a need to specify semantics construction in each of the categorial rule schemata: semantics construction simply “happens” here when categorial information is unified. In a certain sense, this is easier and more elegant than representing the effects of the different combinators **A**, **B**, **S**, **T** in the different kinds of rule schemata, as we have described in the beginning of this paper. More complex constructions involving, e.g., coordination particles, suggest that the list under SEM is in fact a difference list in order to ease the implementation of a list append that is not required in the example above.

## 9 More Measurements and Outlook

The measurements reported in section 7 involved a hand-written TFS PET grammar that we have compared against an equivalent OpenCCG grammar. This experiment did not involve any kind of **Lambda** semantics.

The measurements described here are related to the hand-written **HLDS**-based OpenCCG grammar that is used in the robots to interact with humans. We have almost managed to automatically transform the medium-size English grammar with some minor manual interaction.

Again, both PET and the OpenCCG parser used packing, but did not involve a supertagging stage. We used a small test corpus of 246 sentences coming with

the grammar. We were able to reproduce the same number of passive edges in both parsers, so we are pretty sure that the translation, described in the previous section, is in fact correct. For the MacBook Pro from section 7, we obtained the following numbers (startup times taken out):

- **PET**: 9.5 seconds, 170 MB RAM
- **OpenCCG**: 75.6 seconds, 780 MB RAM

Overall, this gives us a speedup factor of about 8, compared to 10 in section 7.

After having almost finished the translation process, we hope to address item 2 from section section 2 in the very near future. This involves the application of the approximation method (Krieger, 2007) and the use (of parts) of the approximated grammars as structured language models in the speech recognizers (Sphinx, Julius, Loquendo), used by the Talking Robots group at DFKI.

## References

- Baldrige, Jason. 2002. *Lexically Specified Derivational Control in Combinatory Categorical Grammar*. Ph. D.thesis, University of Edinburgh, Division of Informatics, Institute for Communicating and Collaborative Systems.
- Baldrige, Jason and Kruijff, Geert-Jan M. 2002. Coupling CCG and Hybrid Logic Dependency Semantics. In *Proceedings of the 40th Annual Meeting of the Association for Computational Linguistics*, pages 319–326.
- Baldrige, Jason and Kruijff, Geert-Jan M. 2003. Multi-Modal Combinatory Categorical Grammar. In *Proceedings of the 10th Conference of the European Chapter of the Association for Computational Linguistics*, pages 211–218.
- Barendregt, Henk. 1984. *The Lambda Calculus, its Syntax and Semantics*. Amsterdam: North-Holland.
- Bouma, Gosse. 1988. Modifiers and Specifiers in Categorical Unification Grammar. *Linguistics* 26, 21–46.
- Calder, Jonathan, Klein, Ewan and Zeevat, Henk. 1988. Unification Categorical Grammar: A Concise, Extendable Grammar for Natural Language Processing. In *Proceedings of the 12th International Conference on Computational Linguistics*, pages 83–86.
- Callmeier, Ulrich. 2000. PET—A Platform for Experimentation with Efficient HPSG Processing. *Natural Language Engineering* 6(1), 99–107.
- Kaplan, Ronald M. and Maxwell III, John T. 1988. An Algorithm for Functional Uncertainty. In *Proceedings of the 12th International Conference on Computational Linguistics*, pages 297–302.



- Karttunen, Lauri. 1986. Radical Lexicalism. Technical Report CSLI-86-68, Center for the Study of Language and Information, Stanford University.
- Kiefer, Bernd, Krieger, Hans-Ulrich, Carroll, John and Malouf, Rob. 1999. A Bag of Useful Techniques for Efficient and Robust Parsing. In *Proceedings of the 37th Annual Meeting of the Association for Computational Linguistics, ACL-99*, pages 473–480.
- Krieger, Hans-Ulrich. 1995. *TDL—A Type Description Language for Constraint-Based Grammars. Foundations, Implementation, and Applications*. Ph. D.thesis, Universität des Saarlandes, Department of Computer Science.
- Krieger, Hans-Ulrich. 2007. From UBGs to CFGs—A Practical Corpus-Driven Approach. *Natural Language Engineering* 13(4), 317–351, published online in April 2006.
- Kruijff, Geert-Jan M. and Baldridge, Jason. 2004. Generalizing Dimensionality in Combinatory Categorical Grammar. In *Proceedings of the 20th International Conference on Computational Linguistics*.
- Steedman, Mark. 2000. *The Syntactic Process*. Cambridge, MA: MIT Press.
- Uszkoreit, Hans. 1986. Categorical Unification Grammars. In *Proceedings of the 11th International Conference on Computational Linguistics*, pages 187–194.
- White, Michael and Baldridge, Jason. 2003. Adapting Chart Realization to CCG. In *Proceedings of the 9th European Workshop on Natural Language Generation*.
- Zeevat, Henk. 1988. Combining Categorical Grammar and Unification. In Uwe Reyle and Christian Rohrer (eds.), *Natural Language Parsing and Linguistic Theories*, pages 202–229, Reidel, Dordrecht.